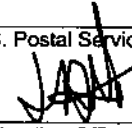




Solicitation Solicitation Amendment

1. Amendment Number A03 to Solicitation Number 162640-07-A-0147		Date 08/22/2007		
2a. Facility CHICAGO, IL - O'HARE AIRPORT MAIL CENTER		2b. Project J97461 Roof Replacement		
3a. Offeror Name and Address		3b. Issued By GREAT LAKES FSO 62 STRATFORD DR		
		3c. Contact EDWIN BRODERICK 630-295-6249		
4. The above numbered solicitation is amended as set forth in Block 5. Note: Offerors must acknowledge receipt of this amendment prior to the date and time specified in the solicitation by one of the following methods: a. By signing and returning one copy of the amendment; b. By acknowledging receipt of this amendment on each copy of the offer submitted; or c. By submitting a separate letter or telegram which includes a reference to the solicitation and amendment numbers. FAILURE OF YOUR ACKNOWLEDGMENT TO BE RECEIVED AT THE PLACE SPECIFIED IN THE SOLICITATION PRIOR TO THE DATE AND TIME SPECIFIED FOR RECEIPT OF OFFERS MAY RESULT IN REJECTION OF YOUR OFFER. If by virtue of this amendment, you desire to change an offer already submitted, such change may be made by telegram or letter provided such telegram or letter makes reference to the solicitation and amendment numbers, and is received prior to the date and time specified. The date and time specified for receipt of offers is: 08/27/2007 03:00 PM CST				
5. Description of Amendment: Proposal Due Date Extended to 08/27/07 3:00 p.m. Attachments: Summary of Revisions - (2 pages) Drawings SKA1.8, SKA1.9, SKA2.0, SKA2.1, SKA2.2, and SKA2.2 (6 pages) Total Pages Including Amendment Page - 9 pages				
6. Contractor Signature		Date Signed	U. S. Postal Service Signature	Date Signed
				8/22/07
Name of person authorized to sign		Contracting Officer JOHN A VLCEK		

United States Postal Service
O'Hare Air Mail Facility
Roof Replacement
USPS Solicitation No. 162640-07-A-0147
USPS File No. J97461
Teng Project No. 20001.001

Amendment No. A03

Date: August 21th, 2007

A. DRAWINGS

1. Drawing A1.01: Plan 1 – Metal exhaust stack to be demolished. Note added to drawing per sketch SKA1.9.
2. Drawing A1.01: Keynote 11 – Revised to state, “*DEMOLISH EXIST PLASTIC BLOCKS SUPPORTING 4” GALV DRAIN PIPE FROM COOLING TOWER. MODIFY AND RAISE 4” THREADED GALV DRAIN PIPE AS REQ'D FOR NEW CURBS.*”
3. Drawing A2.01: Plan 1 – Note added to area of demolished exhaust stack per sketch SKA1.9
4. Drawing A2.01: Detail 1 – Note added to provide existing boiler exhaust stack with a rain hood per sketch SKA2.0
5. Drawing A2.01: Keynote “A4” – Keynote revised to state, “*HANDRAIL AT ROOF HATCH WITH (4) 1-1/2” PENETRATIONS. PROVIDE FLASHING AT ROOF HATCH CURB PER DETAIL 3/A5.02. PAINT HANDRAIL. PROVIDE FLASHING FOR HANDRAIL PER DETAIL 7/A5.01. USPS TO REMOVE AND RECONNECT ANTENNA CABLES PENETRATING THROUGH ROOF HATCH CURB. PROVIDE 24 GA. SHT MTL PATCH OVER EXIST HOLES. PROVIDE PRE-MANUFACTURED PORTAL PER DETAIL 3/A5.03.*”
6. Drawing A2.01: Keynote 11 – Keynote revised to state, “*DRAIN PIPE DOWN FROM COOLING TOWER DISCHARGES @ ROOF DRAIN. PROVIDE PIPE SUPPORTS PER DETAIL 4/A5.02*”
7. Drawing A5.02: Detail 1 – Call out tag referring to “2/A5.02” to be revised to “3/A5.02”
8. Drawing A5.02: Detail 2 – Deleted
9. Drawing A5.02: Detail 3 – Delete and insert revised detail per attached sketch SKA2.1.
10. Drawing A5.02: Detail 10 – Deleted
11. Drawing A5.02: Add detail 12 per attached sketch SKA2.0.

United States Postal Service
O'Hare Air Mail Facility
Roof Replacement
USPS Solicitation No. 162640-07-A-0147
USPS File No. J97461
Teng Project No. 20001.001

Amendment No. A03

Date: August 21st, 2007

12. Drawing A5.02: Delete detail 8 and insert revised detail per attached sketch SKA2.2.
13. Drawing A5.03: Add detail 3 per attached sketch SKA1.8.

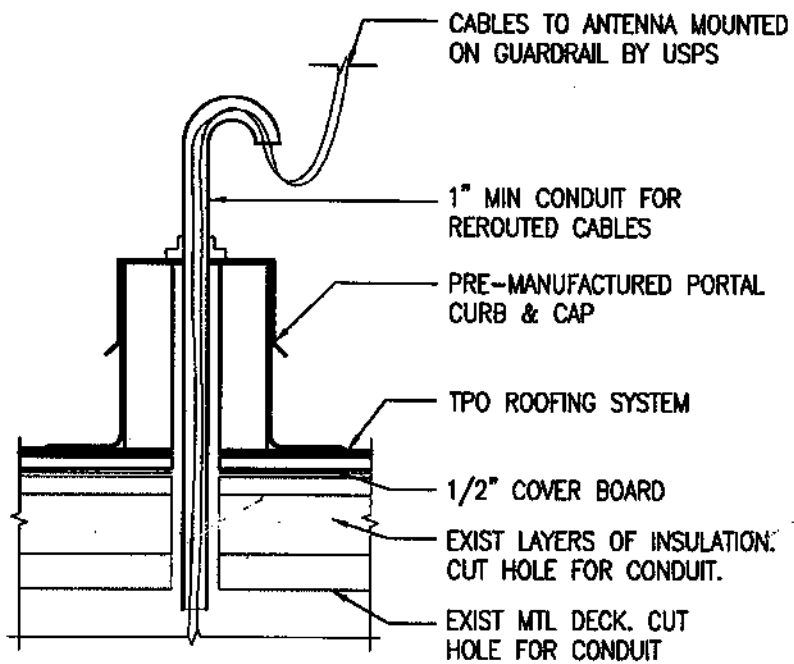
B. SPECIFICATIONS

1. (None)

C. CLARIFICATIONS TO AMENDMENT #2:

1. SKA1.1: Note referring to pre-finished sheet metal cap gauge to be revised from 20 GA to 22 GA.
2. Paragraph A. DRAWINGS – Item 4: Reference to drawing A1.01 should be revised to state A2.01.

Attachments: Sketches: SKA1.8, SKA1.9, SKA2.0, SKA2.1, SKA2.2
Specifications: (None)



3 **WIRE PORTAL DETAIL**
 SCALE: 1 1/2" = 1'-0"

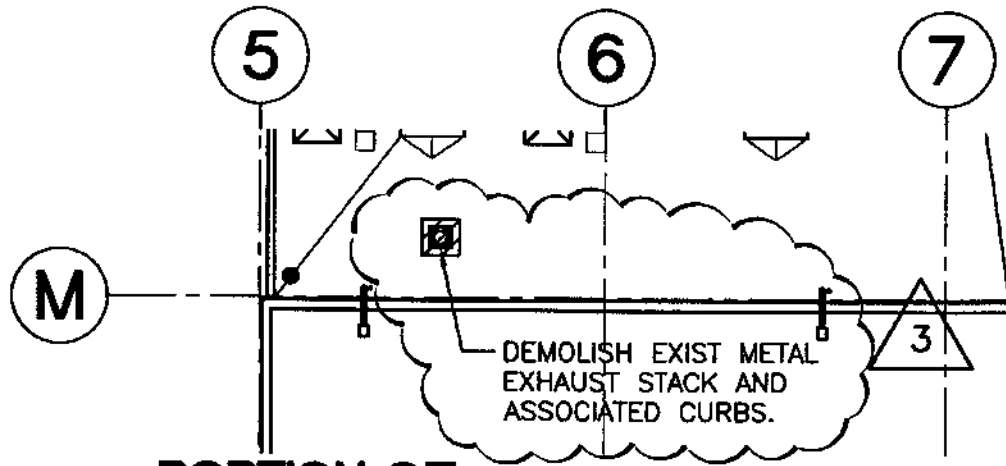
SKA1.8 WIRE PORTAL
DTL 2/A5.03
 Project No: 20001.001
 Date: 08/21/07
 USPS File No: J97461



Great Lakes Facilities Service Office
 62 Stratford Dr. Bloomington, IL 60117

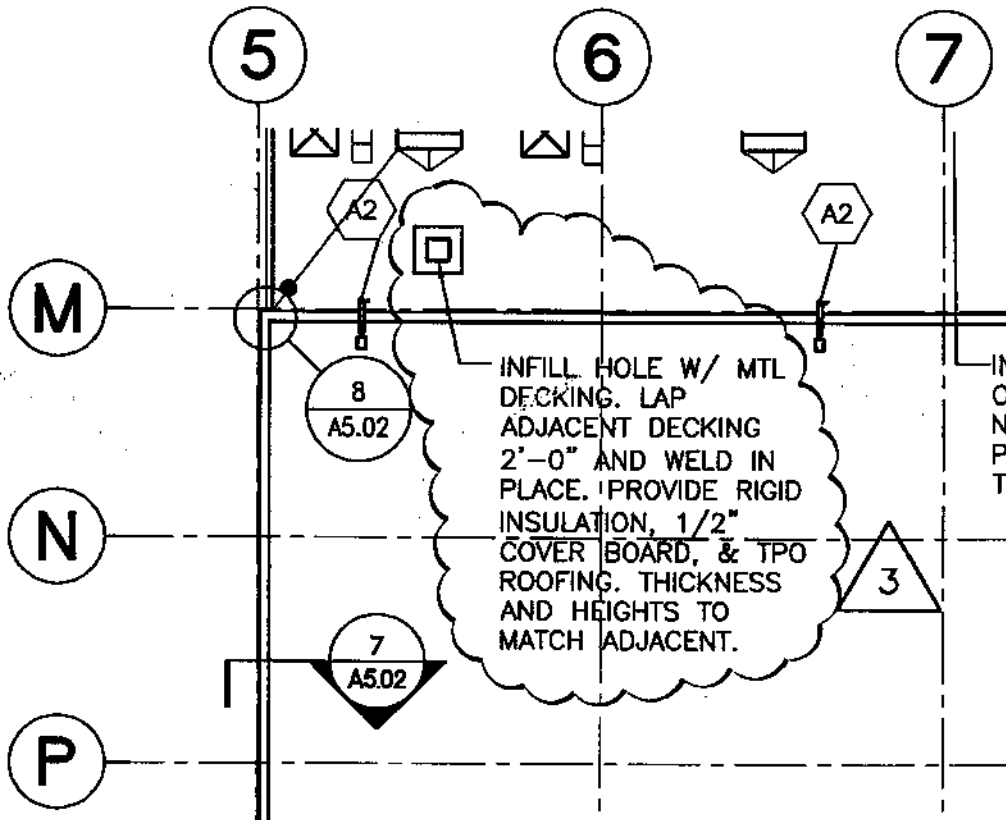
OHARE AMC
ROOF REPLACEMENT
 11600 W IRVING PARK RD
 CHICAGO, IL 60666-9993

TENG
 ARCHITECTS, INC.
 200 N. LAUREL AVE., CHICAGO, IL 60601
 TELEPHONE: 312/733-8800



1 PORTION OF
ROOF DEMOLITION PLAN (REF. A1.01)

SCALE: 1" = 30'-0"



1 PORTION OF
ROOF NEW CONSTRUCTION PLAN (REF. A2.01)

SCALE: 1" = 30'-0"

SKA1.9 EXHAUST STACK
1/A1.01 + 1/A2.01

Project No: 20001.001

Date: 08/21/07

USPS File No: J97461



Great Lakes Facilities Service Office
62 Stratford Dr. Bloomington, IL 60117

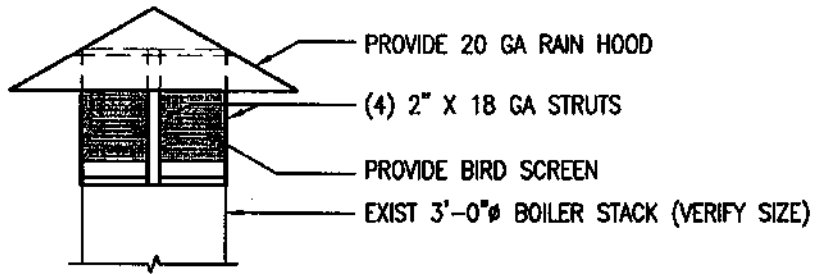
O'HARE AMC
ROOF REPLACEMENT

11600 W IRVING PARK RD

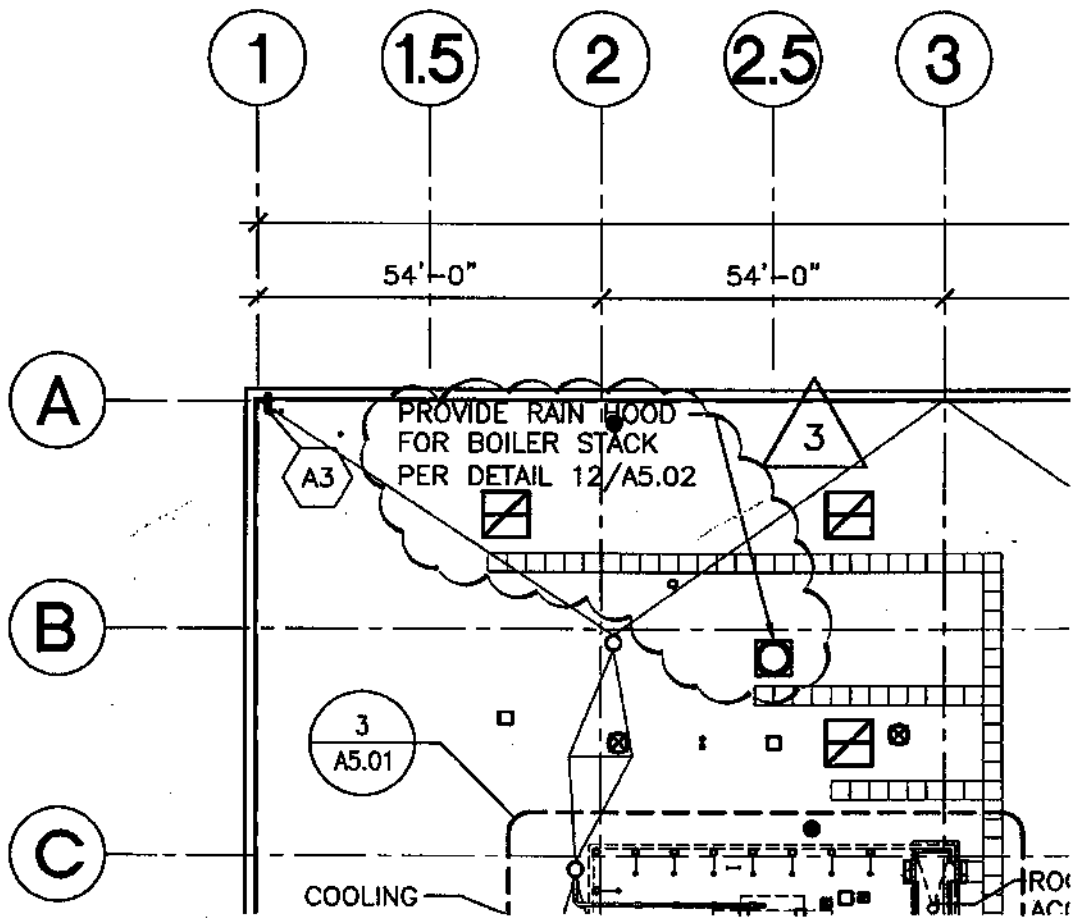
CHICAGO, IL 60666-9993

TENG

CHEN & KORNBLAU, INC.
ARCHITECTS/ENGINEERS/PLANNERS
300 N. MICHIGAN AVE. CHICAGO, IL 60611
TELEPHONE: 312/460-8888



12 RAIN HOOD • BOILER STACK
SCALE: NTS



1 PORTION OF ROOF NEW CONSTRUCTION PLAN
SCALE: 1" = 30'-0"

SKA2.0 BOILER STACK
VALID + 12/A5
Project No: 20001.001
Date: 08/21/07
USPS File No: J97461

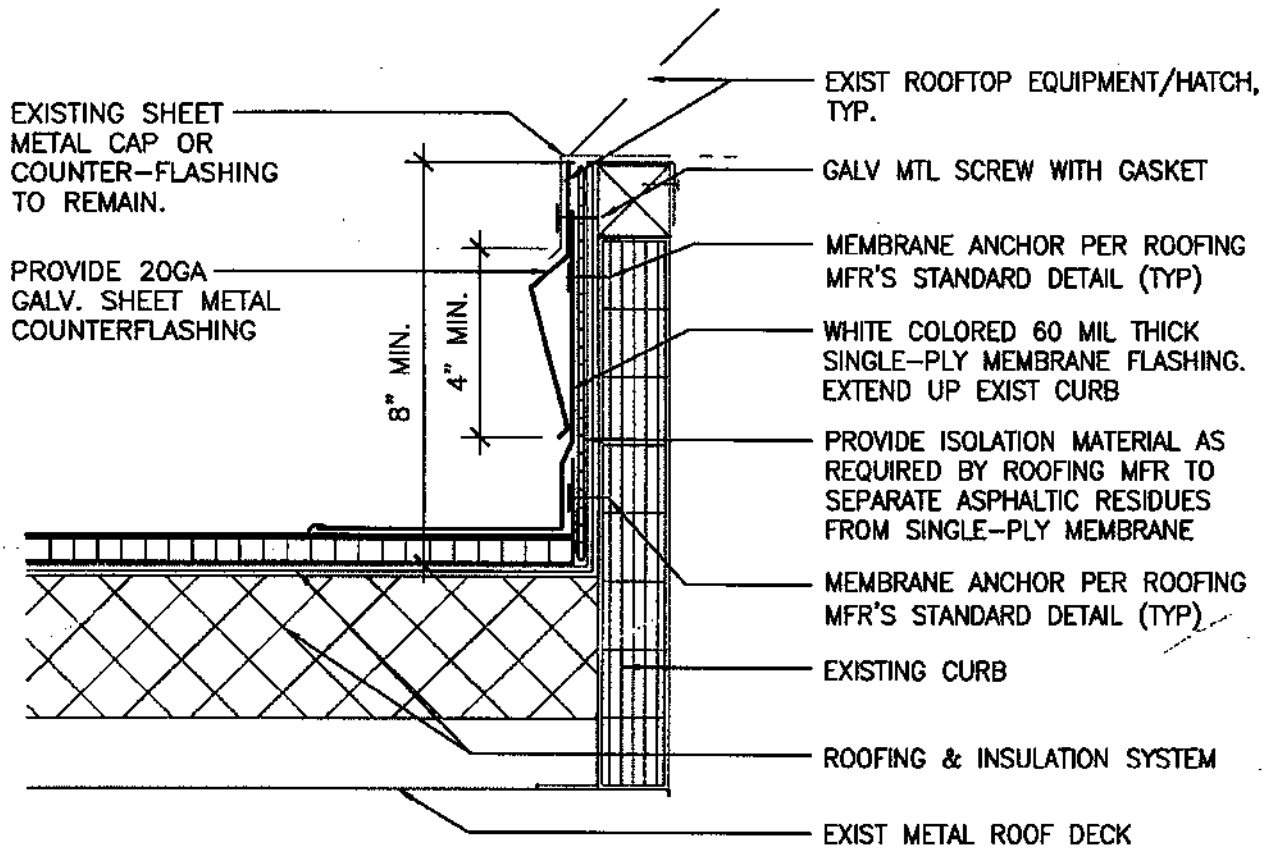


Great Lakes Facilities Service Office
62 Stratford Dr. Bloomington, IL 60117

O'HARE AMC
ROOF REPLACEMENT
11600 W IRVING PARK RD
CHICAGO, IL 60666-9993



TENG & ASSOCIATES, INC.
ARCHITECTS/ENGINEERS/PLANNERS
300 N. MICHIGAN AVE., SUITE 1100, CHICAGO, IL 60611
TELEPHONE: 312/944-8888



3

SECTION DETAIL AT ROOF CURB

SCALE: 3" = 1'-0"

SKA2.1 CURB DETAIL
13/A5.02

Project No: 20001.001

Date: 08/21/07

USPS File No: J97461



Great Lakes Facilities Service Office
62 Stratford Dr. Bloomington, IL 60117

O'HARE AMC
ROOF REPLACEMENT

11600 W IRVING PARK RD
CHICAGO, IL 60666-9993

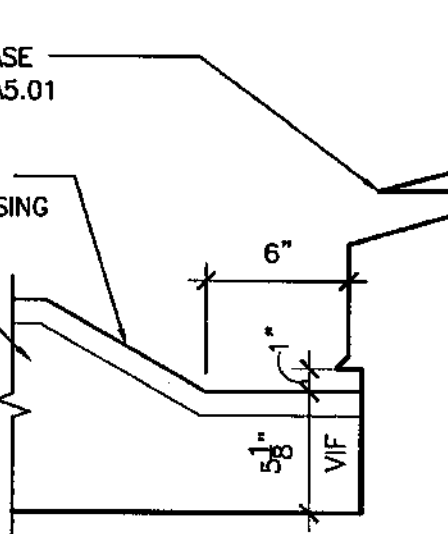
TENG

ARCHITECTS, INC.
300 N. MICHIGAN AVE. CHICAGO, IL 60601
TELEPHONE: 312/710-0000

PROFILE OF PENTHOUSE BASE
CONDITION. SEE DETAIL 5/A5.01

MODIFY EXIST WD CURB TO
TAPER DOWN BENEATH FLASING
AT PENTHOUSE

EXIST EXP. JT CURBING



PROFILE OF PARAPET CONDITION.
SEE DETAIL 1/A5.01

MODIFY EXIST WD CURB TO
TAPER DOWN TO PARAPET

EXIST EXP. JT CURBING

8

ELEV- EXP. JOINT AT PARAPET + PENTHOUSE

SCALE: 3" = 1'-0"

SKA2.2 EXP JOINT DTL
8/A5.02

Project No: 20001.001

Date: 08/21/07

USPS File No: J97461



**UNITED STATES
POSTAL SERVICE**

Great Lakes Facilities Service Office
62 Stratford Dr. Bloomington, IL 60117

**O'HARE AMC
ROOF REPLACEMENT**

11600 W IRVING PARK RD

CHICAGO, IL 60666-9993

TENG

ARCHITECTS, INC.
CORPORATE ARCHITECTS/PLANNERS
300 N. MICHIGAN AVE. SUITE 2000, CHICAGO, IL 60601
TELEPHONE 312/744-0200